



QPS-WHT-7803PM+QPS-WHT-7803PM

SPECIFICATION DATA SHEET

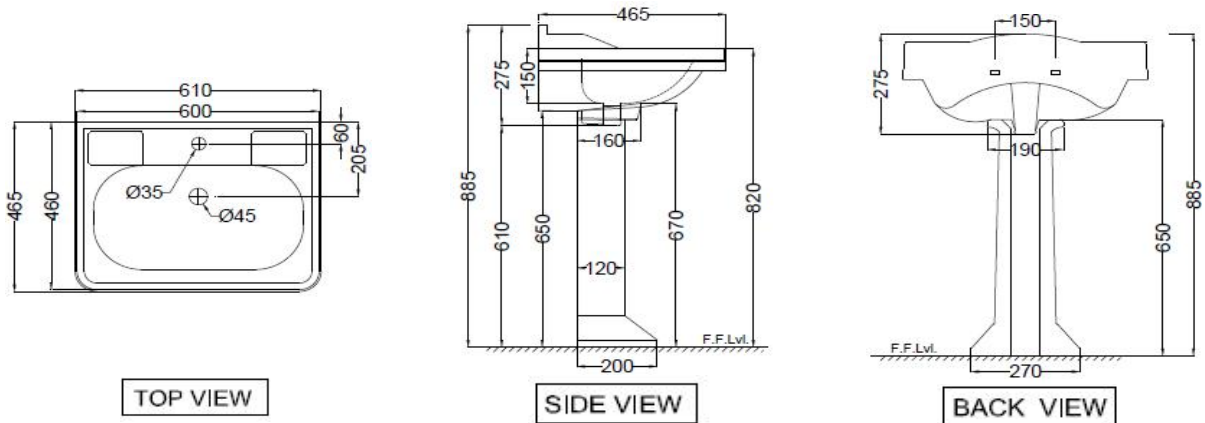
PRODUCT DETAILS

Manufacturer :	Jaquar	Type:	Wall Hung Basin with Full Pedestal
Outlet	Vertical	Colour:	White
Technical Details:	Tap hole dia. \varnothing 35 \pm 2 mm	Material:	Ceramic - Vitreous China
	ID of waste outlet hole dia. \varnothing 45 \pm 3 mm Horizontal distance between the center line of the tap hole and the center line of the waste outlet hole \leq 145 mm		

PRODUCT IMAGE



TECHNICAL DRAWING



Product Dimension	610x465x275 mm With pedestal height 885 mm	FEATURES Anti-Germ, Victorian Designed Sanitaryware, with tap hole.
Basin Inner Dimension	480x350x115 mm	
Product Weight	18 kg	

ACCESSORIES INCLUDED

Overflow hole Cap	ZPS-WHT-9012B
Rag bolt	ZPS-MST-RB03

ACCESSORIES EXCLUDED

Full Pedestal	QPS-WHT-7303PM
---------------	----------------

CERTIFICATION

Compliance : IS 2556.2:2004, IS 2556.1:1994, EN 997 :2012+A1/CE, SANS 497:2011

All technical dimensions are in accordance to British standards, Bureau of Indian Standards



DISCLAIMER: Our every effort has been made to ensure factual accuracy, the information presented subject to changes due to requirements in different sites, markets and/ or countries. All dimensions are in mm (Tolerance \pm 5 MM). Jaquar reserves the right to make the necessary amendments at any time without prior notice.